
PROJECT

CATALOG #

TYPE

NOTES

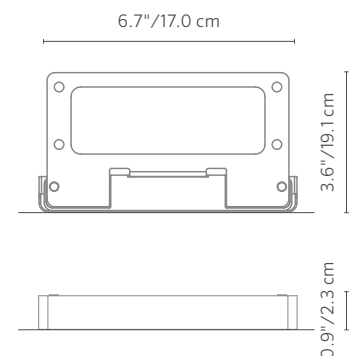


LF Wall Light

Under-the-cap hardscape wall light with modular bracket design for easy installation. Available in brass, copper, stainless steel, and aluminum.

Quick Facts

- Die-cast brass
- Stainless steel, brass, or copper faceplate as natural metal, powder coated, or antiqued
- Cree® integrated LEDs
- Tamper-resistant features
- Color temperature filters
- Compatible with Luxor® technology
- Phase and PWM dimmable
- Input voltage: 10-15V



LF Wall Light SPECIFICATIONS

Output	1LED	ZDC
Total Lumens †	78	34
Input Voltage	10 to 15V	11 to 15V
Input Power	2.0W	3.6W
VA	2.4W	4.3W
Efficacy (Lumens/Watt)	37	21
Color Rendering Index (CRI)	82	84
Max Candela	51	17
Dimming	PWM, Phase**	PWM, Phase**
Luxor Compatibility		
Default	Zoning	--
ZD Option	Zoning/Dimming	--
ZDC Option	--	Zoning/Dimming/Color
Minimum Rated Life (L70)	50,000 Hrs	50,000 Hrs
BUG Rating	B0-U0-G0	B0-U0-G0

** For optimal performance, use a trailing edge phase cut dimmer.

† Measured using the 3,900K CCT lens. Multipliers for other CCTs include 0.80 (2,700K).

FX Luminaire

FX Luminaire is an industry-leading manufacturer of landscape and architectural lighting products with a focus on the advancement of LED technology and digital lighting control with zoning, dimming, and color adjustment capabilities. We offer a full spectrum of highly efficient lighting fixtures that can be utilized to create elegant, cutting-edge landscape lighting systems for commercial or residential applications. Our products are available exclusively via our extensive professional distributor network.

Materials

Die-cast C360 brass faceplate with stainless steel, brass, or copper faceplate (when applicable) and hardware.

Lamp

Integrated module with Cree LEDs. Gold-plated connectors and conformal coated for maximum reliability and corrosion resistance. Proprietary on-board intelligent driver uses firmware-controlled temperature regulation, maximizing LED life. Field up-gradeable and replaceable, the LEDs are rated to 50,000 hrs. Maximum drive current: 1 A.

Optics

Polycarbonate color temperature adjustment lenses included with fixture: 2,700K (preinstalled), 3,900K (no lens). Color temperature lenses field serviceable.

Socket

Socket contains MoistureBlock™ technology, preventing moisture from wicking up into sealed areas of the fixture.

Wiring

18 AWG SPT-1W 105°C 300V 3-meter length.

Power

Input 10-15VAC/VDC 50/60Hz. Remote transformer required (specify separately).

Housing

Die-cast brass housing with capacity for rectangular 1LED integrated LED.

Faceplate

Stamped stainless steel faceplate.

Lens

Frosted polycarbonate lens with high tolerance for thermal expansion, stress, and abuse.

Finish

Options of natural copper/brass stainless finish, powder coated, or antiqued finish with brushed (Antique Bronze) or tumbled (Antique Tumbled) effect. Antique finishes sealed with a clear TGIC powder coat layer.

Hardware

8-32 stainless steel acorn nuts for tamper-resistance and proper adjustment.

Ambient Operating Temperature

0°F to 140°F

Weight

1.0 lb.

Manufacturing

9001:2015 certified facility

Sustainability

Innovation meets conservation in the design and manufacturing of our products. Where we can, we use recycled materials while maintaining superior functionality. Our LED products provide high-quality light at optimal energy efficiency, lifespan, and durability.

Installation Requirements

Designed for installation in the downward lighting direction only.

IES Classification

Type V





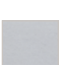
Warranty

10-year limited warranty.

Listings



LF Wall Light ORDERING INFORMATION

Fixture-Size	Luxor Option	Output	Finish		
LF	■ [blank] Zone	1LED 78 Lumens	■ [blank] No Faceplate	■ WG White Gloss	
	■ ZD Zone/Dim		■ BZ Bronze Metallic	■ FW Flat White	
	■ ZDC Zone/Dim/Color	■ [default ZDC option] 34 Lumens	■ FB Flat Black	■ AL Almond	
			■ BS Natural Brass	■ DG Desert Granite	
			■ BSAB Antique Bronze on Brass	■ SB Sedona Brown	
			■ BSAT Antique Tumbled on Brass	■ WI Weathered Iron	
			■ CU Natural Copper	■ CUAB Bronze Metallic on Copper	
			■ CUAT Antique Tumbled on Copper	■ SS Stainless Steel	

EXAMPLE FIXTURE CONFIGURATION: LF-ZD-1LED-BSAT



LF Wall Light PHOTOMETRICS

LF 1LED ILLUMINANCE AT DISTANCE

	Center Beam		Beam Width	
2.0 ft	12.8 fc		5.0 ft	2.0 ft
4.0 ft	3.2 fc		10.1 ft	4.0 ft
6.0 ft	1.4 fc		15.1 ft	6.0 ft
8.0 ft	0.8 fc		20.1 ft	8.0 ft
10.0 ft	0.5 fc		25.1 ft	9.9 ft

■ Vertical Spread: 103°
 ■ Horizontal Spread: 53°

LF ZDC ILLUMINANCE AT DISTANCE

	Center Beam		Beam Width	
2.0 ft	4.3 fc		3.6 ft	4.1 ft
4.0 ft	1.1 fc		7.3 ft	8.2 ft
6.0 ft	0.5 fc		10.9 ft	12.3 ft
8.0 ft	0.3 fc		14.6 ft	16.4 ft
10.0 ft	0.2 fc		18.2 ft	20.5 ft

■ Vertical Spread: 85°
 ■ Horizontal Spread: 92°