



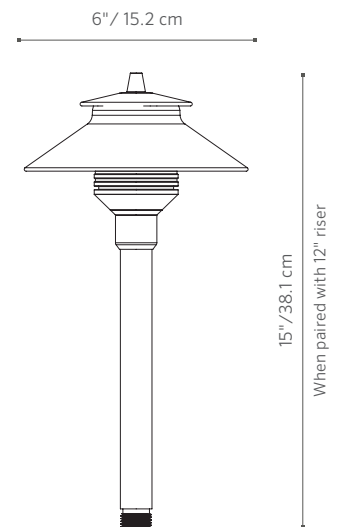
The medium-sized PL is a powder coated area light that is compatible with its smaller and larger relatives in the FX Area Light Line.

PL: Area Light



Visual Transparency

This graceful micro luminaire is equally at home in lush perennial borders and sparse succulent themes. The small scale of the PL allows you to introduce low level, unobtrusive illumination which complements any garden style.





PL: Path Light

FACTORY INSTALLED OPTIONS: Order 1 + 2 + 3 + 4

STEP	DESCRIPTION	CODE
1	FIXTURE	PL
2	LAMP (G4 BASE)	NL (No Lamp)
3	RISER OPTIONS	8R, 12R, 18R, 24R, 30R, 36R
4	FINISH	BZ, DG, WI, SB, FB, WG, FW, AL, SV

EXAMPLE: PL - NL - 12R - BZ = PL - No Lamp - 12" Riser - Bronze Finish

FIELD INSTALLED OPTIONS: Order Individually

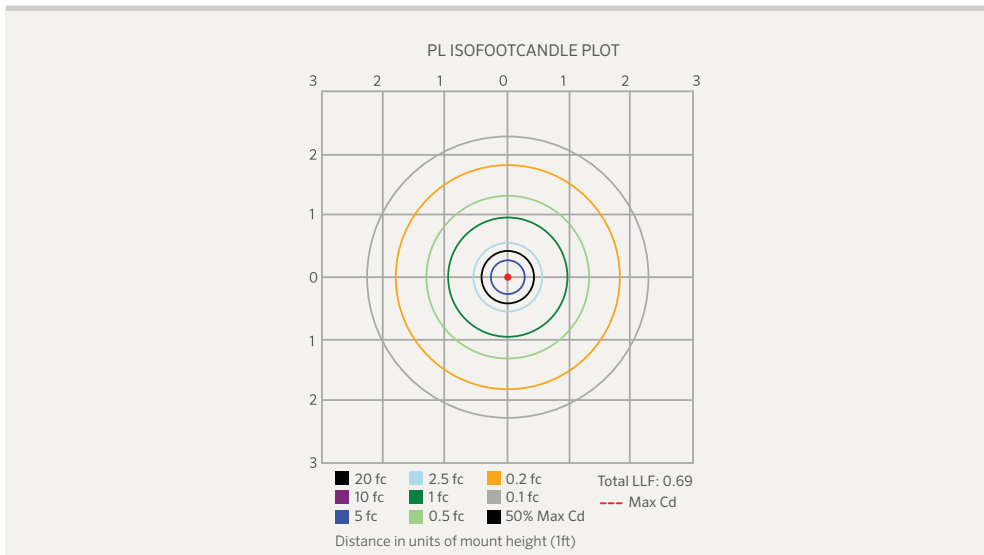
MOUNTING OPTIONS	
Long Slot Spike (250015840000) 2.5" x 10" Included ▶	
Super Slot Spike (753900) 2" x 7"	
SuperJ-Box (SJ-XX**) 2.5" x 12"	
Post Mount (PM-XX**) 2.5" x 13"	

EXAMPLE: SJ-BZ = Super J-Box - Bronze Finish

POWDERCOAT

	WG = White Gloss
	FW = Flat White
	AL = Almond
	DG = Desert Granite
	BZ = Bronze Metallic
	WI = Weathered Iron
	SB = Sedona Brown
	FB = Flat Black
	SV = Silver

PHOTOMETRICS:



The PL includes your of fixture, riser size, finish, and a Super Slot Spike.

* May require longer lead time

** XX denotes finish code

