

PROJECT

CATALOG #

TYPE

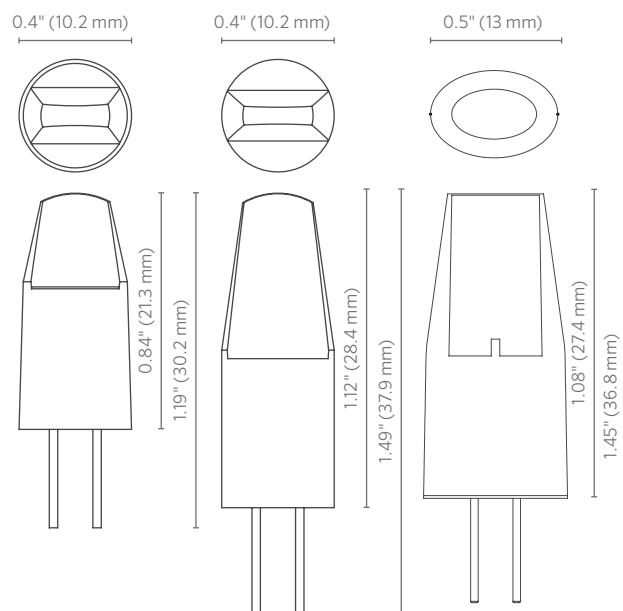
NOTES

G4 LED Replacement Lamp

Specially engineered with a clear silicon capsule design, the economical, energy-efficient G4 LED replacement lamp provides retrofit capabilities for lighting fixtures with a G4 lamp base.

Quick Facts

- Converts T3 incandescent fixtures to LED
- Compatible with any brand of low-voltage fixture that accepts a G4 base
- Silicone encapsulated
- Three intensities: 1W, 1.6W, and 2.4W (10W, 20W, and 35W Halogen equivalents)
- Warm color temperature: 2,700K
- Compatible with Luxor Low-Voltage Cube (LCM-LV)



G4 LED Replacement Lamp LIGHT SPECIFICATIONS

Output	G4LED10W	G4LED20W	G4LED35W
Total Lumens†	76	123	170
Input Voltage	12V	12V	12V
Input Power (W)	0.81	1.14	1.52
VA	1.1	1.7	2.6
Efficacy (Lumens/Watt)	93	107	111
Color Rendering Index (CRI)	83	82	84
Center Beam Candlepower*	--	--	--
Spot (17-20)	--	--	--
Dimming	PWM, Phase**	PWM, Phase**	PWM, Phase**
RGBW Available	No	No	No
Luxor Compatibility			
Default	--	--	--
ZD Option	--	--	--
ZDC Option	--	--	--
Minimum Rated Life (L70)	33,000 Hrs	33,000 Hrs	33,000 Hrs

* Information not available for Flood or Wide Flood.

** For optimal performance, use a trailing-edge, phase-cut dimmer.

† Measured using the 3,900K CCT lens. Multipliers for other CCTs include 0.80 (2,700K), 0.65 (4,500K), and 0.65 (5,200K).

FX Luminaire

FX Luminaire is an industry-leading manufacturer of landscape and architectural lighting products with a focus on the advancement of LED technology and digital lighting control with zoning, dimming, and color adjustment capabilities. We offer a full spectrum of highly efficient lighting fixtures that can be utilized to create elegant, cutting-edge landscape lighting systems for commercial or residential applications. Our products are available exclusively via our extensive professional distributor network.

Material

Silicone

Power

12 VAC, 50/60 Hz
Input voltage: 10VAC-15VAC

Control

Compatible with Luxor Low-Voltage Cube

Weight

0.01 lbs (4.5 g)

Base

G4

Color Temperature

2,700K

Ambient Operating Temperature

0°F to 140°F (-18°C to 60°C)

Sustainability

Innovation meets conservation in the design and manufacturing of our products. Where we can, we use recycled materials while maintaining superior functionality. Our LED products provide high-quality light at optimal energy efficiency, lifespan, and durability.

Warranty

5-year limited warranty

Listings



G4 LED Replacement Lamp ORDERING INFORMATION

Model	Halogen Equivalent	Color Temperature
G4LED	■ 10 10W; consumes 1.1VA	■ W Warm; 2,700K
	■ 20 20W; consumes 1.7VA	
	■ 35 35W; consumes 2.6VA	

EXAMPLE CONFIGURATION: G4LED-10-W



Model Number	Description	Watts	VA	Equivalent Wattage	CCT	Beam Spread	Max Lumens	CBCP	CRI	Efficacy
G4LED10W	G4 LED replacement, 10W, 2,700K	1.0W	1.1	10	2,700K	--	78	--	83	93
G4LED20W	G4 LED replacement, 20W, 2,700K	1.6W	1.7	20	2,700K	--	123	--	82	107
G4LED35W	G4 LED replacement, 35W, 2,700K	2.4W	2.6	35	2,700K	--	170	--	84	111